

D

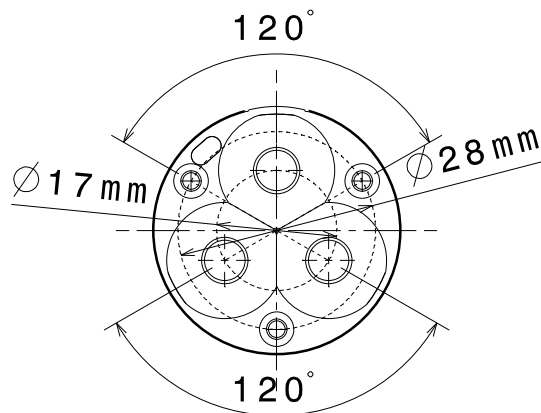
C

B

A

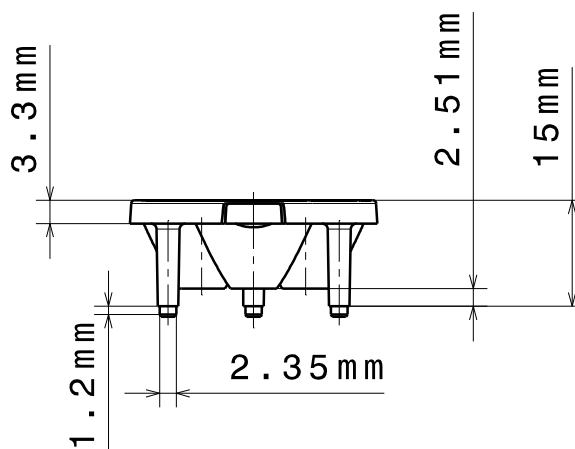
4

4



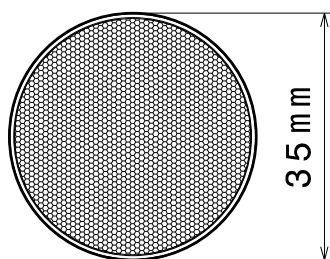
3

3



2

2



Material: PMMA

This drawing is our property.
It can't be reproduced
or communicated without
our written agreement.

Ledil Oy
Tehdaskatu 13
FIN-24100 SALO
Finland

DRAWING TITLE

Cute-3-CSS

DRAWN BY
RMDATE
30.10.2007CHECKED BY
HHDATE
30.10.2007SIZE
A4

DRAWING NUMBER

10428

REV
0.1DESIGNED BY
HHDATE
30.10.2007

SCALE

1:1

WEIGHT (g)

SHEET

1/1

1

1

D

A

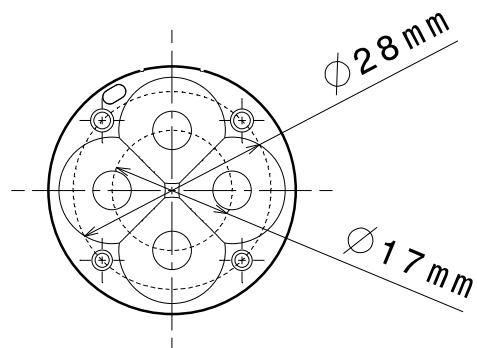
D

C

B

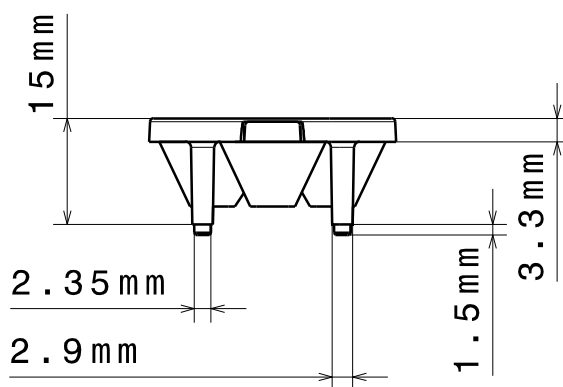
A

4



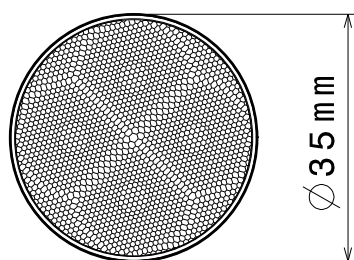
4

3



3

2



2

Material: PMMA

This drawing is our property.
It can't be reproduced
or communicated without
our written agreement.

Ledil Oy
Tehdaskatu 13
FIN-24100 SALO
Finland

DRAWING TITLE

Cute-4-CSS

DRAWN BY
RMDATE
05.12.2007CHECKED BY
HHDATE
05.12.2007SIZE
A4DRAWING NUMBER
10446REV
0.1DESIGNED BY
HHDATE
05.12.2007

SCALE 1:1 WEIGHT (g)

SHEET 1/1

1

1

D

A

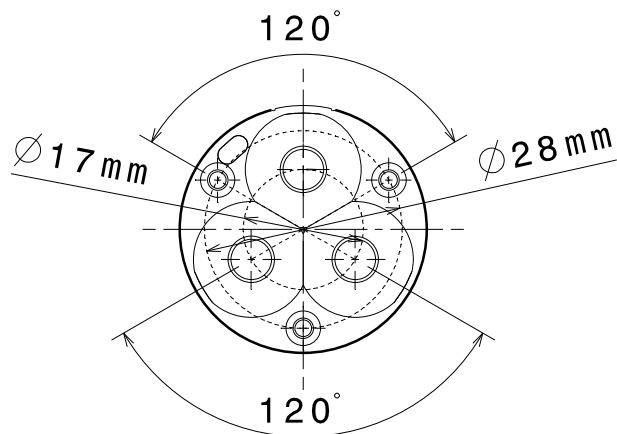
D

C

B

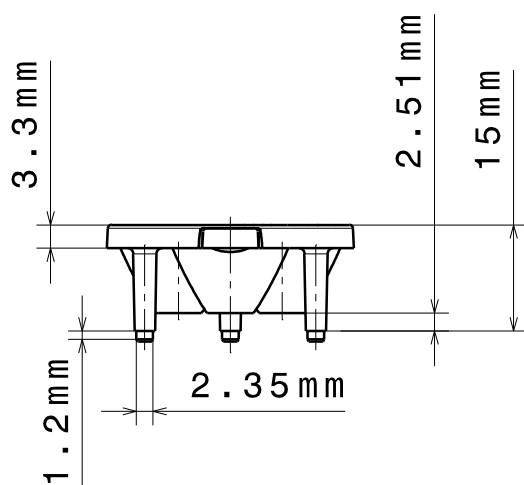
A

4



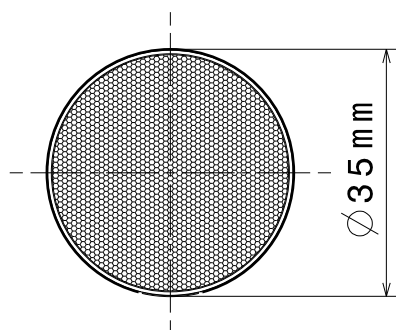
4

3



3

2



2

Material: PMMA

This drawing is our property.
It can't be reproduced
or communicated without
our written agreement.

Ledil Oy
Tehdaskatu 13
FIN-24100 SALO
Finland

DRAWING TITLE

Cute-3-CM

DRAWN BY
RMDATE
31.10.2007CHECKED BY
HHDATE
31.10.2007SIZE
A4

DRAWING NUMBER

10427

REV
0.1DESIGNED BY
HHDATE
31.10.2007

SCALE

1:1

WEIGHT (g)

SHEET

1/1

1

1

D

A

D

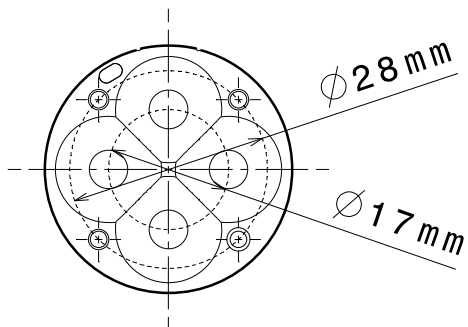
C

B

A

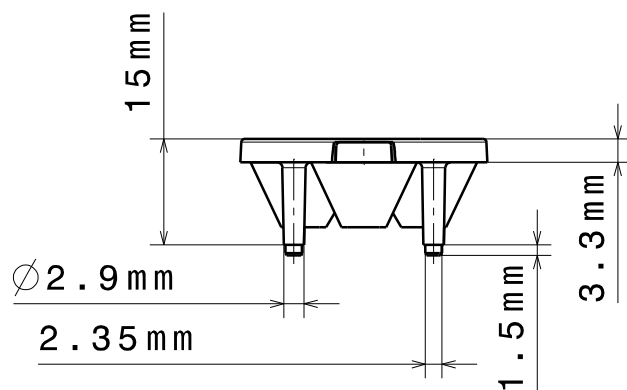
4

4



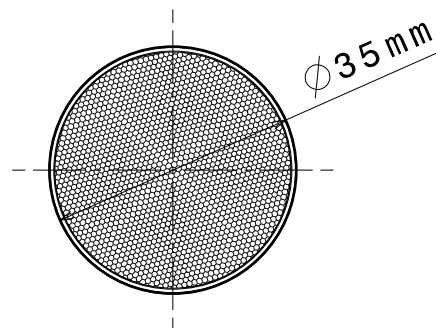
3

3



2

2



Material: PMMA

This drawing is our property.
It can't be reproduced
or communicated without
our written agreement.

Ledil Oy
Tehdaskatu 13
FIN-24100 SALO
Finland

DRAWING TITLE

Cute-4-CM

DRAWN BY
RMDATE
07.12.2007CHECKED BY
HHDATE
07.12.2007SIZE
A4

DRAWING NUMBER

10447

REV
0.1DESIGNED BY
HHDATE
07.12.2007

SCALE

1:1

WEIGHT (g)

SHEET

1/1

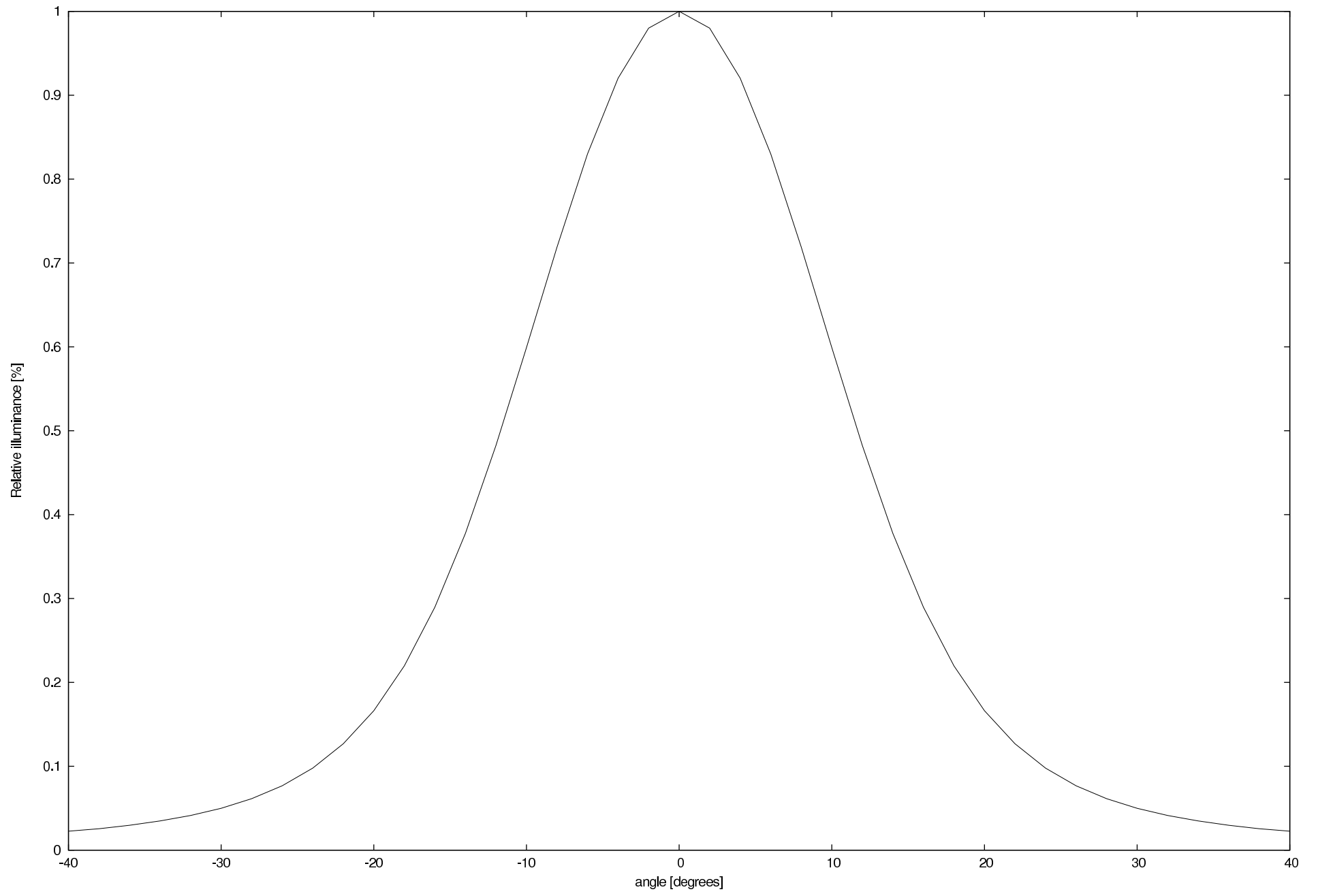
1

1

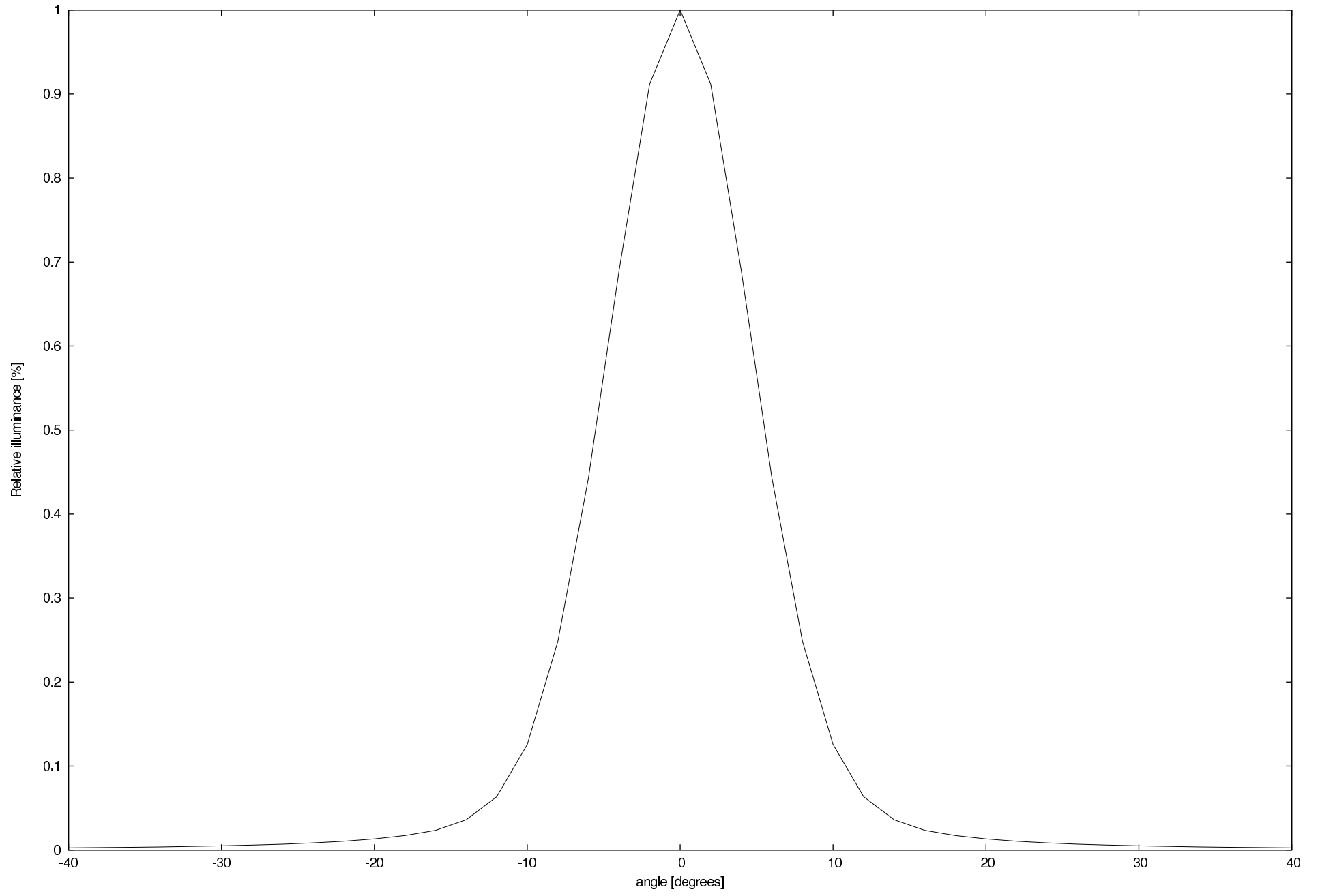
D

A

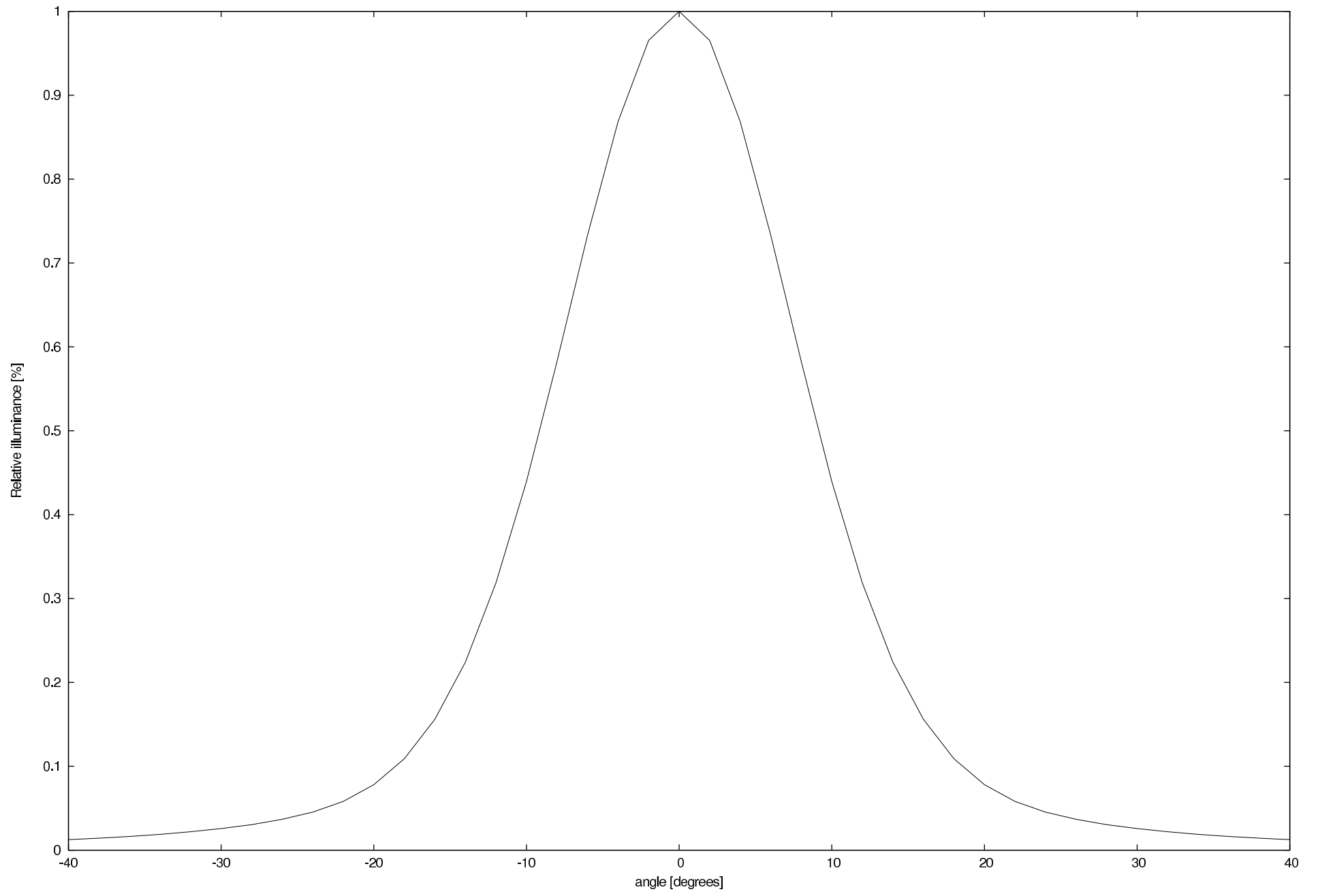
CUTE-3-CM_cree



CUTE-3-CSS_cree



CUTE-4-CM_cree



CUTE-4-CSS_cree

